



THE G. W. VAN KEPPEL COMPANY

1801 North 9th Street, Kansas City, KS 66101 (913) 281-4800
P.O. Box 2923, Kansas City, KS 66110 Fax (913) 281-4815

12.16.2022

John Adams
Muskogee County District 3

The G.W. Van Keppel Company is pleased to present the following for your consideration:

Road Widener Skid Steer Attachment

- 1 (One) New Road Widener Skid Steer Attachment
- Single Side Discharge Right Side
- Steel Push Plate Included
- Shoulders in Widths of 1 to 4 Feet
- Right Material Discharge
- Adjustable Slope
- Adjustable Material Depth
- Variable Speed
- Hydraulic-Driven Conveyor Belt
- Extendable push rollers for use with Different Types of Dump Trucks
- REMOTE CONTROL

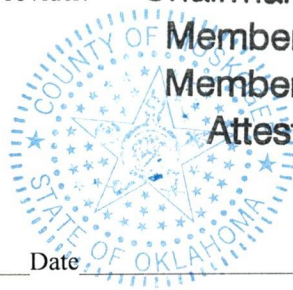
2022 Pricing

MSRP SALE PRICE \$67,064.00 (NOT INCLUDING TAXES) FOB Oklahoma City, OK
 SW195 DISCOUNT - \$3,353.20
 DISCOUNTED PRICE \$63,710.80

Thank you for this Opportunity to be your Equipment Provider.

Reagan Gray
 918-800-9423
 TERRITORY MANAGER
 The G.W. Van Keppel Company

28th day of Dec 2022
 Chairman [Signature]
 Member [Signature]
 Member [Signature]
 Attest [Signature]
 County Clerk



Customer Signature _____ Date _____ PO# _____



THE G. W. VAN KEPPEL COMPANY

1801 North 9th Street, Kansas City, KS 66101 (913) 281-4800
P.O. Box 2923, Kansas City, KS 66110 Fax (913) 281-4815

12.16.2022

John Adams
Muskogee County District 3

The G.W. Van Keppel Company is pleased to present the following for your consideration:

Road Widener Skid Steer Attachment

- 1 (One) New Road Widener Skid Steer Attachment
- Single Side Discharge Right Side
- Steel Push Plate Included
- Shoulders in Widths of 1 to 4 Feet
- Right Material Discharge
- Adjustable Slope
- Adjustable Material Depth
- Variable Speed
- Hydraulic-Driven Conveyor Belt
- Extendable push rollers for use with Different Types of Dump Trucks
- REMOTE CONTROL

2023 Pricing

MSRP SALE PRICE \$68,850 (NOT INCLUDING TAXES) FOB Tulsa, OK
 SW195 DISCOUNT - \$3,442
 DISCOUNTED PRICE \$65,408

New units in stock now in OKC Location

Thank you for this Opportunity to be your Equipment Provider.

Reagan Gray
 918-800-9423
 TERRITORY MANAGER
 The G.W. Van Keppel Company

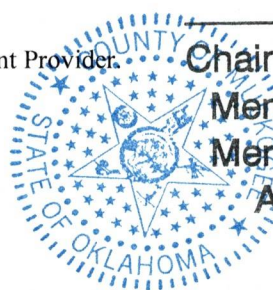
_____ day of _____ 20____

Chairman Terry W. Parr

Member [Signature]

Member [Signature]

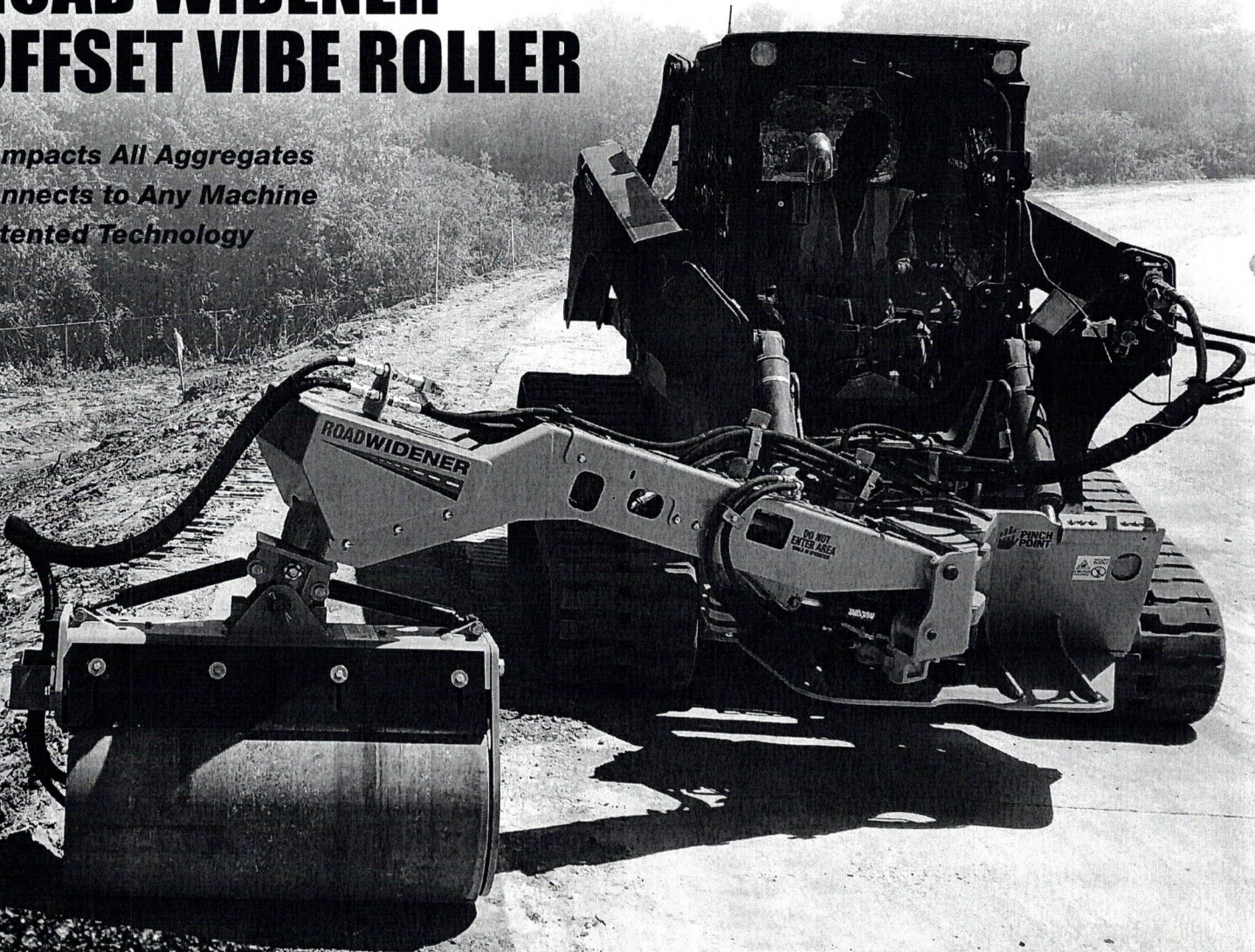
Attest [Signature]
County Clerk



Customer Signature _____ Date _____ PO# _____

ROAD WIDENER OFFSET VIBE ROLLER

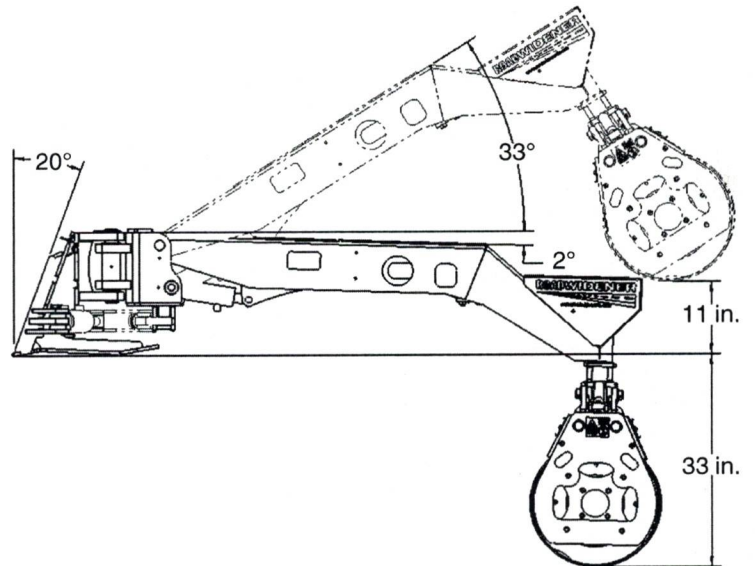
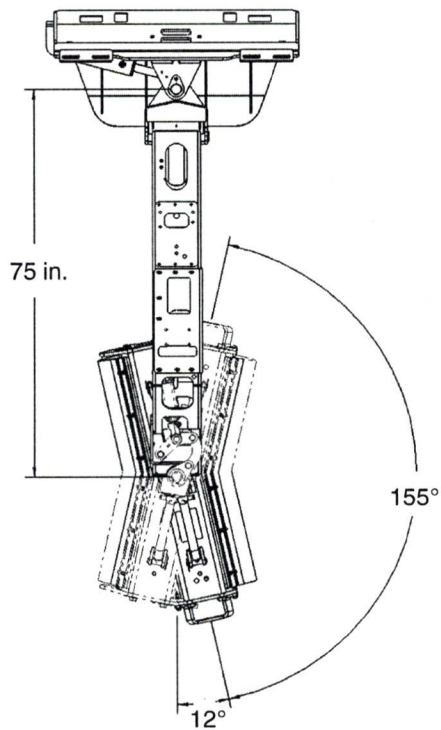
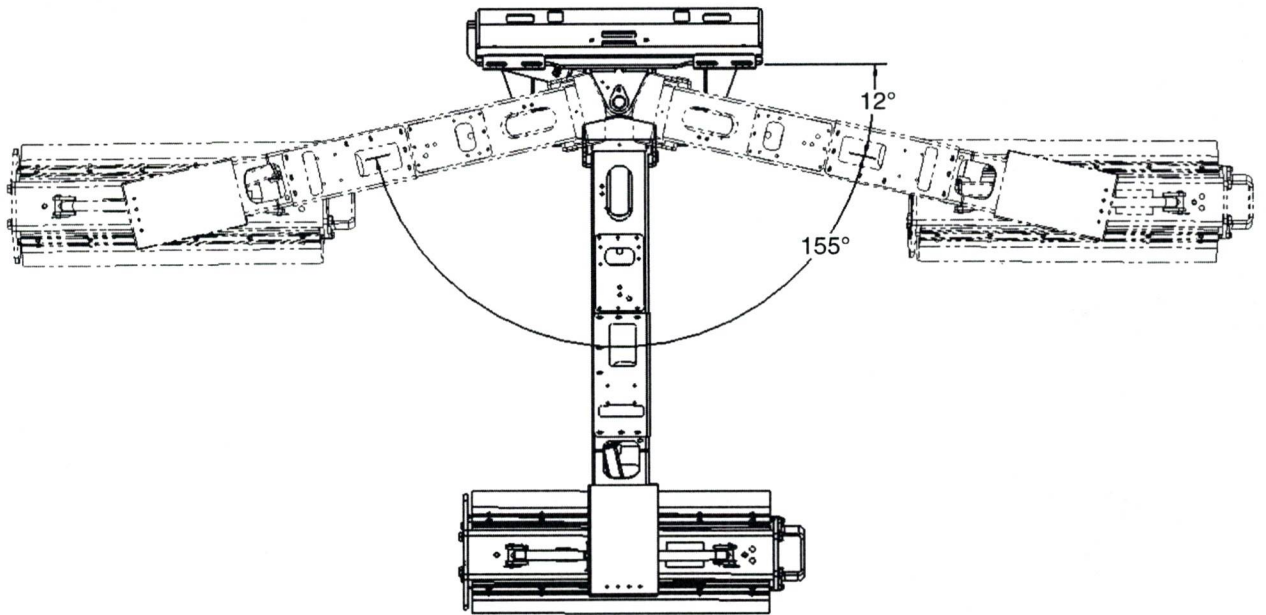
*Compacts All Aggregates
Connects to Any Machine
Patented Technology*



ROADWIDENER[®]

1-844-494-3363 | Sales@RoadWidenerLLC.com
www.RoadWidenerLLC.com

OFFSET VIBE ROLLER - PRODUCT SPECIFICATIONS



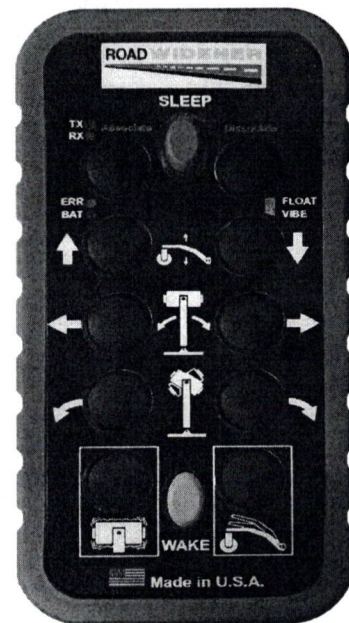


Offset feature allows operator to stay on the road while rolling and compacting shoulders and ditches.



Safest rolling solution on the market!

- Safest roller on the market – one-of-a kind attachment
- Attaches to any machine via SAE quick connector coupling
- Requires only standard flow hydraulics
- Remote control puts functions in the hands of the operator
- Vibratory feature creates optimal compaction
- Can roll stone, asphalt, RAP, dirt
- Multiple roller widths 2', 3', and 4'
- Can roll outside slope of shoulder, not just horizontal edges (up to 30-degree drum pivot)
- Can be dropped down into trenches – drum goes to 30 inches below mounting point
- Sprayer mount provisions for hot asphalt users



Remote control

ARM WEIGHT LB (KG)	DRUM WIDTH FT (CM)	DRUM MASS LB (KG)	MIN. CENTRIFUGAL FORCE LBF (KGF)	MIN. TOTAL APPLIED FORCE LBF (KGF)	VPM
950 (431)	2' (61.0)	570 (259)	1513 (686)	3016 (1368)	2500-3500
950 (431)	3' (91.4)	713 (323)	1513 (686)	3110 (1410)	2500-3500
950 (431)	4' (121.9)	819 (371)	1513 (686)	3196 (1449)	2500-3500

Disclaimer:

All information, illustrations and specifications in this brochure are based on the latest information available at the time of publishing. The illustrations used in this manual are intended as representative reference views only. Products are under a continuous improvement policy. Thus, information, illustrations and/or specifications to explain and/or exemplify a product may be changed at any time without notice.



THE G. W. VAN KEPPEL COMPANY

1801 North 9th Street, Kansas City, KS 66101 (913) 281-4800
P.O. Box 2923, Kansas City, KS 66110 Fax (913) 281-4815

12.16.2022

John Adams
Muskogee County District 3

The G.W. Van Keppel Company is pleased to present the following for your consideration:

Road Widener Skid Steer Offset Roller Attachment

- Safest roller on the market – one-of-a kind attachment
- Attaches to any machine via SAE quick connector coupling
- Requires only standard flow hydraulics
- Remote control puts functions in the hands of the operator
- Vibratory feature creates optimal compaction
- Can roll stone, asphalt, RAP, dirt
- Multiple roller widths 2', 3', and 4'
- Can roll outside slope of shoulder, not just horizontal edges (up to 30-degree drum pivot)
- Can be dropped down into trenches – drum goes to 30 inches below mounting point
- Sprayer mount provisions for hot asphalt users

2022 Pricing

MSRP SALE PRICE \$60,925 (NOT INCLUDING TAXES) FOB Tulsa, OK
 SW195 DISCOUNT - \$3,046
 DISCOUNTED PRICE **\$57,879**

4' roller in stock now in OKC Location

Can add other widths for \$17,800 each and change drums as needed 28th day of Dec 2022

Thank you for this Opportunity to be your Equipment Provider.

Reagan Gray
 918-800-9423
 TERRITORY MANAGER
 The G.W. Van Keppel Company



Chairman [Signature]
 Member [Signature]
 Member [Signature]
 Attest [Signature]
 County Clerk

Customer Signature _____ Date _____ PO# _____

Drum Width 3