

APPLICATION AND UTILITY PERMIT
MUSKOGEE COUNTY, STATE OF OKLAHOMA

Co. Comm. Dist. 2

TYPE OF INSTALLATION

WATER _____
SEWER _____
GAS X _____

OIL _____
ELECTRIC _____
TELEPHONE _____

This authority executed in the original and three copies this _____ day of _____
20____, by the Board of County Commissioners, acting for and on behalf of the County of
Muskogee hereinafter called the "County" witnesses:

THAT THE COUNTY DOES BY THESE PRESENT, GRANT TO:

Applicant: Oklahoma Natural Gas Company
Mailing Address 5848 E 15th St.
Tulsa, OK 74112
Phone: 918.831.8325
After Hours/Weekend Emergency Contact and Phone: Virgil Moore - 918.607.0981

"On the job" contact person and phone: NPL - 918.794.6746
(a person and phone #, who will be on the job site, MUST be listed for approval of permit.)
a permit to erect, construct and maintain a Natural gas pipeline
along, upon or cross the hereinafter described County Highway(s), Road(s) being show
on the attached drawing(s) and further describe as follows:

LOCATION: 31801 SH-2, Porum (E. 1185 Rd., Briartown)
COUNTY HWY OR ROAD: 3.09/0.14 miles N./W. of SH-2
and SH-9

(Highway Junction or Road or other definite point) and further describes as
follows:

314-foot W. of the SE/4 and NE/4
of Section 36 - T10N - R19E

The installation will be made in the following manner:

Size of Line: Crossing: 2-inch Size of Casing N/A
Paralleling: 2-inch

Before placing a utility facility on any County right-of-way, a permit must be obtained,
using forms furnished by the County. All information requested on the form must be
supplied. All underground crossings must be installed by boring, punching, or other
approved methods. The method and equipment for the installation must be approved by
the County.

If considered necessary, pressure grouting of the voids will be required. This will generally be required when the diameter of the bore exceeds the outside diameter of the pipe by two inches or more. In the interest of safety, trenching and the parking of equipment should be performed as far as possible from traffic lanes. In Unusual cases where trenching is necessary, a special plan with specifications will be developed by the owners with assistance for the County, setting out the methods for controlling the traffic, placement of the facility and proper restoration of the roadway. This method must bear the recommendation of the County and be approved by the Board of County Commissioners.

Drawings clearly illustrating work to be performed within the highway or road right-of-way and all other utility facilities in the areas of this permit must be provided with the permit application. A plan view will be sufficient, except where a crossing of the highway or road involved. Each highway or road crossing must be represented by a profile or crossing-section view with highway template, regardless of the type of utility to be installed or its function. Parallel overhead lines on all highway or road right-of-way should be limited to single pole construction. All crossings of the highway or road should be as nearly perpendicular as possible. The following fee shall accompany said drawings.

Request Method	Fee
<input checked="" type="checkbox"/> Bore	<u>N/A</u> \$ 50.00
<input type="checkbox"/> Cut dirt or gravel	<u> </u> \$150.00

Cutting of paved road is NOT permitted. If a crossing is made on a paved road, it MUST be bored.

This fee schedule shall be waived in the case of a Public Utility doing business in Muskogee County who by the filing of this Utility Permit hereby agrees to indemnify Muskogee County for any damages to the County Roadway. This permit is granted subject to the following conditions, requirements and covenants to wit:

1. Work to be performed on County right-of-way must have the approval of the County, who must be notified when the work is to begin and when it is completed for final inspection. Under no circumstances will any work be done on County right-of-way until such approval has been obtained.
2. The County reserves the option to have an inspector on the work site during any/all phases of the project.
3. One copy of an approval permit must be kept at the work site for inspection by the Commissioner or his representative. Applicant will be required to have an inspector or engineer present at all time during construction to insure that installation is made in accordance with plans and specifications approved by the County.
4. The applicant must agree to hold the County harmless for any damage or injury to persons or property caused by or resulting from the construction, maintenance, operation or repair of the facilities on under or over the County right-of-way and must further agree to reimburse the County for any repair or damage to County facilities made necessary by the construction, maintenance and/or operation of the applicant's facility.
5. All work on the County right-of-way is to be done in accordance with the current Standard Specifications for highway or road construction, and at the conclusion of such work, the right-of-way must be cleaned up and left in presentable condition. This will include replacing any protective grass cover destroyed by trenching or operation of equipment and by correcting any other damage that may have been caused, as directed by the County.

6. The applicant must furnish all flagmen, lights, barricades and warning signs deemed necessary by the County, during the construction, maintenance, or repair of its facilities on the County right-of-way. In some cases, the applicant must post bond in an amount determined by the Board of County Commissioners. Such bonds usually will not exceed \$10,000.00. Necessity for bond will be determined by the County and the bond will be held in their office.
7. When notified to do so by the County, the applicant agrees to make all changes in the facilities on County right-of-ways at the applicants own expense, unless otherwise provided by law or order of the Board of County Commissioners.
8. Clearance above the traffic lanes of the highway or road at all pole line crossings should comply with applicable safety codes, but will not be less than 20 feet at a temperature of 60 degrees Fahrenheit. All poles, post, stubs, fixtures, down guy wires, and other appurtenances must be kept in good repair at all times and free from weeds and brush within a 5- foot area of the installation. The facilities, when parallel to the highway or road will be no more than 4 feet inside the right-of-way line, unless otherwise approved by the Board of County Commissioners.
9. All underground crossings of the right-of-way must be encased from right -of-way line to right-of-way line at a minimum depth of 48 inches below the bottom of the surfacing and 48 inches below the bottom of the ditches, unless otherwise approve by the Board of County Commissioners.

All encased crossings must be sealed at both ends and vented outside the right-of-way line. The vents should be sized to allow proper release of carrier pipe contents in case of failure. The minimum pipe size for the vent is two-inch nominal, and the vent must extend a minimum of 36 inches above natural ground level. The owner must install indemnification makers at each right -of-way line directly above facility. Such makers may be attached to vents or to a right-of-way fence. The makers may be in the owner's standard design, but must identify the owner and the size of the facility, and must be at least 130 square inches in area. They also must be erected at a location plainly visible from within the highway or roadway right-of-way.

The casing must be designed to sustain roadway loadings, contain and divert from the roadway the contents of the carrier pipe, and to have a life expectancy equal to or greater than the carrier pipe.

Encasement for underground telephone or power lines, or similar facilities, should comply with the above, except for the installation of vents, end seals, and the ability to contain and divert.

Steel pipelines crossing the right-of-way may be installed without encasement if the installation is in accordance with Special Provision for the installation of Underground Pipelines. This Special Provision stipulates in part that carrier pipe materials within the right-or-way by being of steel at least one grade better or a minimum of one wall width thicker and of the same alloy. Pipe must be 48 inches below the flow line of drainage ditches and all other highway drainage facilities, and must be properly protected from corrosion.

Non-pressurized facilities, such as sanitary sewer lines, crossing the highway or road right-of-way may be approved without the use of encasement, if cast iron or material of equal or better quality is used, with the understanding that maintenance will be performed by a method that will not disturb the though lanes or interfere with traffic.

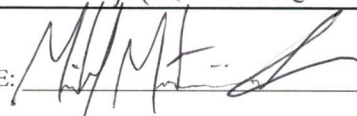
Parallel facilities must be installed no more than 4 feet inside the right-of-way and be buried a minimum depth of 30 inches below the surface on the ground. The ditch must be backfilled to a density equal to the adjacent soil, and a proper vegetative cover established on the area disturbed. Any deviation must be approved by the County.

10. The applicant must agree to refrain from disturbing trees, shrubbery, or any part of the landscape without the approval of the County. If it becomes necessary to disturb trees or shrubbery, applicant's intentions must be plainly stated in the application, which will include size and kind of trees and shrubs, disposition during installation.

11. Blasting will not be permitted within the highway or road right- of-way except in unusual cases and only with special approval by the County.
12. The applicant must agree to notify all owners who have facilities in the area encompassed by this permit before beginning any work.
13. The applicant must agree to hold the County harmless for any and all damages that the utility facilities might sustain while occupying County highway or right-of-way.
14. Any variance from the terms of this Resolution shall be by special permission of the Board of County Commissioners.
15. Applicant will give the County a 48 hour notice before actual work is to begin.
16. In case of emergency, this permit must be filed within two (2) workdays.

THE FOLLOWING ARE REQUIRED BEFORE APPROVAL


****Emergency After Hours/Weekend Contact Information Is Required****
**** Job Site Contact Information Is Required****

APPLICANT NAME: Oklahoma Natural Gas Company
APPLICANT TITLE: Michael Martinovich - Real Estate Services
APPLICANT SIGNATURE:  DATE 03.09.2022

Muskogee County Board of Commissioners:

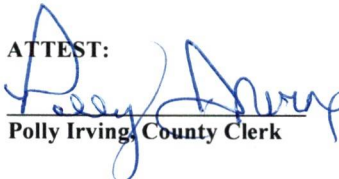

Keith Hyslop, ~~Chairman~~ Member


Kenny Payne, ~~Vice~~ Chairman


Ken Doke, Member



ATTEST:

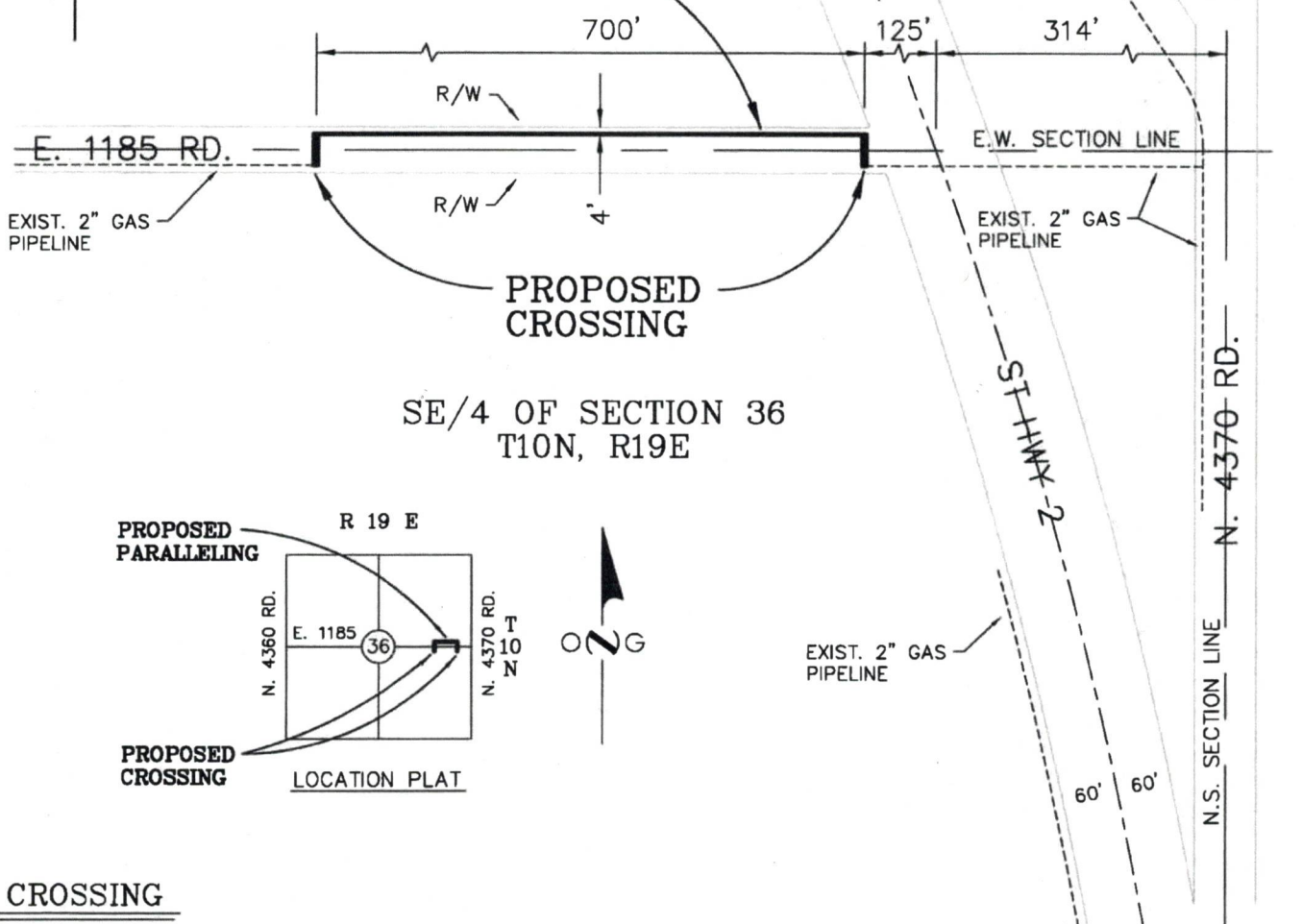

Polly Irving, County Clerk

MUSKOGEE COUNTY

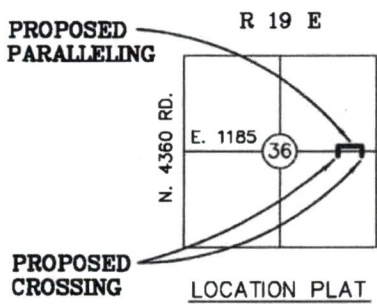


NE/4 OF SECTION 36
T10N, R19E

PROPOSED
PARALLELING



SE/4 OF SECTION 36
T10N, R19E



CROSSING

- * 2 3/8"OD ASTM D2513 PE3408 .64# .216"WT H.D. PIPE INSIDE R/W
- * 2 3/8"OD ASTM D2513 PE2406 .63# .216"WT PLASTIC PIPE OUTSIDE R/W
- BORED 48" MIN BELOW HWY SURFACE
- 48" MIN BELOW DRAINAGE DITCH
- * 1600# MFG MIN TEST PRESSURE
- 100# ONG MIN TEST PRESSURE
- 30# NORMAL W.P.
- 60# MAX W.P.

PARALLELING

- * 700' OF 2 3/8"OD ASTM D2513 PE2406 .63# .216"WT PLASTIC PIPE
 - 30" MIN COVER
 - * 500# MFG MIN TEST PRESSURE
 - 100# ONG MIN TEST PRESSURE
 - 30# NORMAL W.P.
 - 60# MAX W.P.
- 3.09 MILES NORTH AND 0.14 MILES WEST OF JUNCTION OF ST HWY 2 AND ST HWY 9

31801 ST HWY 2

OKLAHOMA NATURAL GAS COMPANY		
BRIARTOWN DISTRIBUTION		
PROPOSED 2" GAS PIPE LINE CROSSING AND PARALLELING E. 1185 RD.		
DESIGNED -	SURVEY -	DATE 2-9-2022
DRAWN K.E.R.	J.O. R/W -	SCALE NONE
CHECKED C.E.	021.053.2980.010614	SHEET 1
FILE	DWG. 2980-30-22CP	OF 1