

Fiscal Recovery Funds  
Expenditure Documentation

Date 10/15/2021

Muskogee County, Oklahoma

Identify the need or risk

Due to the increased death rate in Muskogee County, arising from COVID related illnesses, burials in county cemeteries has increased. It is necessary that the County have equipment available to conduct these burials more often than previous times.

How does the proposed expenditure respond to the need or risk?

The purchase of this equipment will allow the district to have equipment available to conduct burials when other equipment is committed to other projects.

Expenditure Category Public Health

Expenditure: detail level 6.1 Provision of Government Services

FAQ number (if applicable)

Estimated amount of expenditure \$ 120,000.00

Submitted to Governing Board by District 2

\*\*\*\*\*

Approved <input checked="" type="checkbox"/>		Board Signatures	Date
Denied <input type="checkbox"/>			

Reason for denial: \_\_\_\_\_  
\_\_\_\_\_  
\_\_\_\_\_  
\_\_\_\_\_  
\_\_\_\_\_

Purchase Order number (if applicable) \_\_\_\_\_

Notes \_\_\_\_\_  
\_\_\_\_\_  
\_\_\_\_\_

(Attach this form to the PO along with other supporting documentation)



**OCT Equipment, LLC**  
 Quoted on Behalf of CNH Industrial America  
 12210 E. First St.  
 Tulsa, OK 74128  
 Phone: 918-437-5085  
 Fax: 918-437-5099

# Oklahoma Statewide Contract Quote Contract SW192



Prepared For: **MUSKOGEE COUNTY DISTRICT 2**  
 ATTN: KEITH HYSLOP

Date: 11/09/21

Territory Manager  
**Rod Meeker**  
 918-639-1601

<b>Delivery:</b> 30 to 180 days from receipt of purchase order.	<b>Payment Terms</b> Payment due no later than 30 days from Delivery. OCT does not accept the P-Card for machine purchases.	<b>Prices are subject to change. This quote is valid for 60 days from the date shown above.</b>
--------------------------------------------------------------------	--------------------------------------------------------------------------------------------------------------------------------	-------------------------------------------------------------------------------------------------

**Base Model: CASE 580SN LOADER BACKHOE**

SW192 Discount: **37%**  
 Price List Date: **10/15/2021**

Warranty: Full Machine Warranty for 12 months  
 Engine Warranty for 24 months or 2000 hours  
 Powertrain Warranty for 24 months or 2000 hours

Order Code	Option Description	List Price	Price After Discount
	Case 580SN Loader Backhoe	\$ 149,167.00	\$ 93,975.21
745299	YGR ORDER Discount	(5,000.00)	(3,150.00)
423059	4WD Power Shuttle Transmission		-
8201110	Front Tires - 12x16.5, 10PR lug tread		-
8401140	Rear Tires - 19.5LX24, 10PR STD		-
464074	Extendahoe w/1-way or 2-Way switchable Flow Auxiliary Hydraulics	9,446.00	5,950.98
423047	1100 lb. counterweight	(773.00)	(486.99)
423078	Pilot Controls w/Power Lift and Power Boost	3,407.00	2,146.41
423068	Backhoe Bucket - 18" Universal	1,534.00	966.42
442056	Flip Over/Stabilizer Pads Combo	840.00	529.20
745274	Hydraulic Thumb	4,028.00	2,537.64
464078	Auxiliary Hydraulics-Loader, Ride Control & Comfort Steering	3,163.00	1,992.69
747863	Loader Bucket -82" 4x1 with bolt-on cutting edges	7,500.00	4,725.00
747855	Cab, LH Door w/Heater/AC - Includes one door, defroster, door activated dome light, four front, four rear, and two adjustable side lights, floor mat, tinted glass, radio ready, front & rear wiper and fender extensions. Includes Bluetooth Radio	9,339.00	5,883.57
747770	Mechanical Suspension Seat, Cloth, w/ armrests	24.00	15.12
DDD	Dealer Discretionary Discount		(350.00)
Telematics	Case SiteWatch with 3 year Advanced subscription		-

182,675.00	\$	<b>114,735.25</b>
<b>List Price</b>		<b>Subtotal</b>
<b>Destination Charge</b>	\$	1,259.00
<b>Predelivery/Setup</b>	\$	575.00
<b>Delivery Freight</b>	\$	250.00

**Additional options not included in Case price book.**

Price	
36" HD Backhoe Bucket	\$ 2,340.00
<b>Total Additional Options</b>	\$ 2,340.00

**Price Before Trade-Ins \$ 119,159.25**

**Trade-In**

Trade Allowance	
Trade Allowance	

**Total Selling Price \$ 119,159.25**

**Options (if chosen, add to Total Selling Price)**

Options (if chosen, add to Total Selling Price)	List Price	After Discount
	\$	-
	\$	-
	\$	-



## ENGINE

Model	FPT F5BFL413B
Emissions Certification	Tier 4 Final
Type	Diesel 4-stroke, Turbocharged
Cylinders	4
Bore/Stroke	3.90 x 4.33 in (99 x 110 mm)
Displacement	207 in <sup>3</sup> (3.4 L)
Fuel injection	Direct, high pressure common rail – HPCR
Fuel	Diesel
Engine speeds*	RPM
Rated speed – full load	2200
Low idle	900 – 1000
High idle – no load	2330 – 2430
Horsepower @ 2200 RPM:	
Gross	97 hp (72 kW)
Net	95 hp (71 kW)
Maximum torque @ 1400 RPM:	
Gross	334 lb-ft (453 N·m)
Net	333 lb-ft (452 N·m)
Torque rise at rated speed	45% +/- 5%
Radiator:	
Core type	Square wave
Core size area	486 in <sup>2</sup> (3 145 cm <sup>2</sup> )
Rows of tubes	4
39° fan:	
Style	9 blade suction
Diameter	19.65 in (499 mm)
Ratio**	1.4:1
Pump operating angle ratings:	
Side to side	Rated 35°
Fore and aft	Rated 35°
Oil filtration	Replaceable, full flow cartridge

NOTE: \*Engine speeds w/ standard transmission.  
Meets federal emission regulations.  
\*\*Viscous fan.

## DRIVETRAIN

Transmission – standard:  
4F-4R Power Shuttle Synchronesh Transmission  
manual gear shift, fully synchronized

Specifications below apply to the Power Shuttle  
transmission.

Gear ratios	Forward/Reverse
1st	5.603/4.643
2nd	3.481/2.884
3rd	1.584/1.313
4th	0.793/0.657

Travel speeds – Standard Power Shuttle

Transmission	Forward	Reverse
	mph (kph)	mph (kph)
1st	3.8 (6.1)	4.5 (7.3)
2nd	6.0 (9.7)	7.2 (11.6)
3rd	13.1 (21.1)	15.7 (25.3)
4th	24.6 (39.6)	29.5 (47.5)

Transmission – optional:

PowerDrive H-Type, 4F-4R hydraulic clutch  
shifting w/ auto shift mode and direct drive

Gear ratios	Forward/Reverse
1st	5.533/4.549
2nd	3.359/2.762
3rd	1.533/1.260
4th	0.811/—

Travel speeds – Optional H-Type PowerDrive

DD Transmission	Forward	Reverse
	mph (kph)	mph (kph)
1st	3.9 (6.2)	4.6 (7.4)
2nd	6.3 (10.1)	7.5 (12.1)
3rd w/ DD Feature Off	13.6 (21.9)	16.4 (26.3)
3rd w/ DD	14.2 (22.8)	17.0 (27.4)
4th w/ DD Feature Off	24.2 (39.0)	29.0 (46.7)
4th w/ DD	25.0 (40.2)	29.8 (48.0)

Torque converter ratio 2.2

Differential-lock:

On-the-go push-button activation

Front/Rear axle (w/ 4WD 12x16.5 front tires):

Differential ratio	2.0/2.5
Planetary hub ratio	6.0/6.4
Total reduction ratio	12.0/16.0

Service brakes:

Individually applied, power assisted,  
hydraulically actuated, maintenance-free,  
self-adjusting, outboard mounted, wet disc,  
2 per side.

Total disc area 384 in<sup>2</sup> (0.25 m<sup>2</sup>)

Parking brakes Trans Mounted  
spring-applied hydraulic release – SAHR

NOTE: Travel speeds at 2312 engine  
RPM specified: w/ 19.5 L x 24.0 tires.

## ELECTRICAL

Voltage 12 Volts, negative ground

Alternator 160 amp

Dual batteries:

850 cold-cranking amps each

Power plugs – 2 30 amps total

## OPERATOR ENVIRONMENT

ROPS/FOPS certified protective canopy;  
Anti-vandalism cover for dash – w/ canopy  
only; Rear fenders extensions; Coat hook w/  
garment strap; Interior rearview convex mirror;  
Mechanical suspension seat – 180° swivel – Vinyl;  
3 in (76 mm) retractable seat belt; Cup holder/  
storage tray mounted on left-hand fender;  
Right-hand storage compartment w/ lid,  
tilt-steering wheel on cab models.

Gauges:

Engine water temperature; Converter oil  
temperature; Fuel level; Tachometer/  
hourmeter; DEF level.

Warning lights:

Air cleaner restriction; Alternator; A/C high  
pressure; Cold start; Engine oil pressure;  
Hydraulic oil filter bypass; Parking brake  
engagement; Low fuel; Water in fuel; Low DEF.

Audible alarms w/ diagnostics:

Coolant temperature; Engine oil pressure;  
Parking brake engagement; Converter oil  
temperature; Shuttle engagement/seat  
position; Backup alarm; Low DEF.

Horn Dual switched front and rear

## OPERATING WEIGHT

Configuration 1 – SAE Transport:

No Operator, Loader Bucket, Cab, AC,  
1,100 lb front counter weight, 2WD, Full of  
Fuel, SAE Carry T4 Final Engine, Pilot Controls,  
11 L – 16 @ 52 psi front tires, 19.5 L – 24  
Rear Tires.

19,810 lb (8 078 kg)

Configuration 2 – SAE Transport:

No Operator, 4:1 Loader Bucket, E-hoe, Cab,  
1,100 lb front counter weight, Full of Fuel, SAE  
Carry T4 Final Engine, Pilot Controls, 12 x 16.5  
@ 50 psi front tires, 4WD w/ driveshaft guard,  
19.5 L – 24 @ 30 psi rear tires.

19,750 lb (8 958 kg)

Add-on weights:

Cab-over canopy 309 lb (140 kg)  
Fabricated stabilizer pads 141 lb (64 kg)  
Extendahoe® 286 lb (130 kg)

## HYDRAULICS

### Pump:

Bosch Rexroth Series 31 Variable  
Displacement Axial Piston Pump

### Main relief pressure:

Standard	3,450 +/- 50 psi (238 +/- 3.5 bar)
Power Lift	3,625 +/- 50 psi (250 +/- 3.5 bar)

### Filtration:

7-micron, full flow replaceable cartridge on return line, condition indicator light for filter.

### Oil cooler

Heavy-duty

### Loader flow @ rated engine RPM:

41 gpm @ 2,340 psi  
(156.2 L/min @ 161 bar)

### Loader control valve w/ pilot or manual backhoe controls:

Two or three-spool closed center sectional control valve. Single lever manual control for lift and tilt functions. The three-spool valve uses a proportional Electro-Hydraulic control for the auxiliary function. The lift lever has a positive hold "Float" position and a "return-to-dig" feature.

### Loader auxiliary hydraulics w/ proportional thumb switch w/ detent on loader control handle:

0 - 41 gpm @ 2,340 psi  
(0 - 156.2 L/min @ 161 bar)

### Backhoe flow @ rated engine RPM:

41 gpm @ 3,100 psi  
(156.2 L/min @ 214 bar)

### Manual backhoe control valve:

Six-spool monoblock open center control valve w/ seventh and eighth spool bolt-on sections. Features "Pro-Control" which includes custom designed spools for each individual function along w/ "swing cushioning" valve for zero-wag swing control. Basic control valve has an open center parallel circuit for all functions.

### Pilot backhoe control valve:

Six, seven, or eight spool sectional closed center control valve. Features "Pro-Control" which includes custom designed spools for each individual function along w/ "swing cushioning" valve for zero-wag swing control. Basic control valve is closed center, w/ circuits in parallel w/ a post-compensated, flow sharing feature for simultaneous operation of all circuits.

### 1-way flow auxiliary hydraulics:

1-way flow hydraulic valve is equipped w/ an adjustable LS relief valve to control attachment pressure and a 6 position flow control selector for 6 detented, distinct flow settings.

### Actuation:

Manual backhoe controls - cab floor pedal  
Pilot controls - left-hand joystick

### 2-way flow auxiliary hydraulics\*:

#### Actuation:

Activate the 2-way flow switch located on the rear console  
Manual shift - 2-way flow linkage on far right of backhoe tower  
Pilot controls - left-hand joystick.

NOTE: \*Available w/ 1-way/2-way Aux. Hyd. option.

## SERVICE CAPACITIES

Fuel tank 35.0 gal (132.0 L)

DEF tank 3.6 gal (13.5 L)

### Hydraulic system:

Total 125 qt (118.0 L)  
w/ Extendahoe® 131 qt (123.6 L)  
Reservoir w/ filter 53 qt (50.5 L)  
Reservoir w/o filter 55 qt (52.4 L)

### Transmission - total system:

2WD Standard 18 qt (17.0 L)  
4WD Standard 21 qt (19.4 L)  
4WD PowerDrive H-Type 19 qt (18.0 L)

### Standard front axle:

4WD Differential 8.1 qt (7.7 L)  
4WD Planetaries - each 0.5 qt (0.5 L)

### Rear axle:

Differential and planetaries 14.4 qt (13.6 L)

Engine oil w/ filter 8.5 qt (8.0 L)

### Cooling system:

w/ heater 19.0 qt (18.0 L)  
w/o heater 18.3 qt (17.3 L)

Window washer reservoir 3.0 qt (2.8 L)

## OTHER SPECIFICATIONS

### Front tires:

2WD 11.0 L x 16.0, 10-ply rating  
4WD 12.0 L x 16.5, 10-ply rating  
4WD 12.5/80 x 18.0 10-ply rating

### Rear tires:

2/4WD 19.5 L x 24.0, 10-ply rating  
2/4WD 500/70 R24, 10-ply rating

### Turning radius: Curb to Curb:

#### 2WD:

Brakes on 10 ft 8 in (3.24 m)  
Brakes off 12 ft 4 in (3.76 m)

#### 4WD - engaged\*:

Brakes on 11 ft 4 in (3.45 m)  
Brakes off 13 ft 10 in (4.21 m)

#### 4WD - disengaged\*:

Brakes on 11 ft 0 in (3.36 m)  
Brakes off 12 ft 3 in (3.72 m)

NOTE: \*Turning radius dimensions curb to curb w/ 12.0 x 16.5 front tires and 19.5 L x 24.0 rear tires.

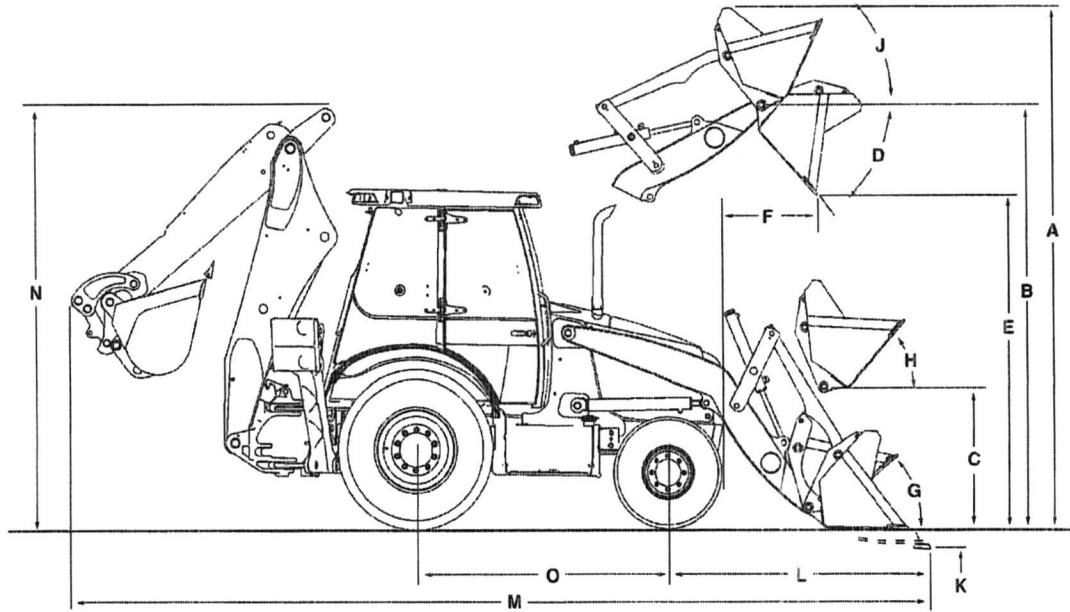
## LOADER BUCKET SIZES

Type	Width	Weight	Struck	Heaped Capacity
Long Lip Bucket:				
without bolt-on edge	82 in (2.08 m)	864 lb (392 kg)	0.88 yd <sup>3</sup> (0.67 m <sup>3</sup> )	1.03 yd <sup>3</sup> (0.79 m <sup>3</sup> )
with bolt-on edge	93 in (2.36 m)	1,188 lb* (539 kg)	1.10 yd <sup>3</sup> (0.89 m <sup>3</sup> )	1.29 yd <sup>3</sup> (0.99 m <sup>3</sup> )
4 IN 1® Bucket with bolt-on edge	82 in (2.08 m)	1,572 lb* (713 kg)	0.85 yd <sup>3</sup> (0.65 m <sup>3</sup> )	1.04 yd <sup>3</sup> (0.80 m <sup>3</sup> )

NOTE: \*Weight of 4 IN 1® bucket includes edges, cylinders and tube lines.

## BACKHOE BUCKET SIZES

Type	Width	Weight	Heaped Capacity
Universal Buckets			
	12 in (305 mm)	295 lb (134 kg)	3.40 ft <sup>3</sup> (0.10 m <sup>3</sup> )
	18 in (457 mm)	356 lb (162 kg)	5.30 ft <sup>3</sup> (0.15 m <sup>3</sup> )
	24 in (610 mm)	427 lb (194 kg)	7.70 ft <sup>3</sup> (0.22 m <sup>3</sup> )
	30 in (762 mm)	489 lb (222 kg)	10.20 ft <sup>3</sup> (0.29 m <sup>3</sup> )
	36 in (914 mm)	552 lb (251 kg)	12.70 ft <sup>3</sup> (0.36 m <sup>3</sup> )
High Capacity Buckets			
	24 in (610 mm)	447 lb (203 kg)	8.50 ft <sup>3</sup> (0.24 m <sup>3</sup> )
	30 in (762 mm)	502 lb (228 kg)	10.60 ft <sup>3</sup> (0.30 m <sup>3</sup> )



Line drawings are for illustrative purpose only and may not be exact representation of unit.

#### LOADER DIMENSIONS

	Long Lip Bucket	4 IN 1 <sup>®</sup> Bucket
A. Overall operating height – fully raised	13 ft 9 in (4.18 m)	13 ft 8 in (4.16 m)
Height to:		
B. Bucket hinge pin fully raised	11 ft 3 in (3.42 m)	11 ft 3 in (3.42 m)
C. Bucket hinge pin at SAE carry	13.6 in (345 mm)	13.6 in (345 mm)
D. Dump angle at full height	47°	47°
E. Dump clearance at full height, 45° dump:		
Bucket	8 ft 10 in (2.69 m)	8 ft 11 in (2.71 m)
Clam open	—	9 ft 8 in (2.96 m)
F. Dump reach at full height, 45° dump – from bumper:		
Bucket	31.5 in (801 mm)	29.1 in (738 mm)
Clam open	—	15.3 in (388 mm)
Bucket rollback:		
G. @ Groundline	42°	42°
H. @ SAE carry	42°	42°
J. @ Full height	Adjustable	Adjustable
K. Digging depth below grade:		
Bucket flat	6.1 in (155 mm)	4.8 in (122 mm)
Clam open – dozing	—	4.1 in (103 mm)
L. Reach from front axle centerline – bucket on ground	6 ft 10 in (2.07 m)	6 ft 8 in (2.03 m)
Lift capacity to full height – calculated values	7,044 lb (3 195 kg)	6,703 lb (3 040 kg)
Breakout force:		
Lift cylinders	9,833 lb (4 460 daN)	9,610 lb (4 359 daN)
Dump cylinders	10,947 lb (4 965 daN)	11,658 lb (5 288 daN)
Bucket cutting edge width	82.5 in (2.09 m)	82.0 in (2.08 m)
Maximum grading angle	114°	114°
Maximum clam opening	—	38.3 in (972 mm)
Moldboard height	—	36.8 in (934 mm)
Raising time to full height – manual/pilot controls	2.6/3.2 sec	2.6/3.2 sec
Bucket dumping time	0.8/1.2 sec	0.8/1.2 sec
Lowering time:		
Power down	1.9/2.1 sec	1.9/2.1 sec
Return-to-dig	2.5/2.2 sec	2.5/2.2 sec
Clam:		
Open time	—	1.1 sec
Close time	—	1.1 sec

NOTE: Loader dimensions taken with 4WD, 12.0 x 16.5 front tires and 19.5 L x 24.0 rear tires.

## DIMENSIONS

	2WD with 17.5 L x 24.0 rear tires	4WD with 19.5 L x 24.0 tires
<b>M. Overall transport length:</b>		
Long Lip bucket with Quick Coupler	23 ft 5 in (7.14 m)	23 ft 4 in (7.10 m)
4 IN 1 <sup>®</sup> bucket with Quick Coupler	23 ft 3 in (7.07 m)	23 ft 1 in (7.04 m)
Long Lip bucket with Straight Links	23 ft 6 in (7.15 m)	23 ft 4 in (7.12 m)
4 IN 1 <sup>®</sup> bucket with Straight Links	23 ft 3 in (7.09 m)	23 ft 2 in (7.06 m)
Overall transport width	7 ft 2 in (2.17 m)	7 ft 2 in (2.17 m)
<b>Height:</b>		
To top of canopy	8 ft 8 in (2.64 m)	8 ft 9 in (2.66 m)
To top of cab	8 ft 9 in (2.68 m)	8 ft 11 in (2.72 m)
To top of exhaust stack	8 ft 5 in (2.58 m)	8 ft 7 in (2.62 m)
<b>N. Transport</b>		
Ground clearance at backhoe frame	12 in (304 mm)	15.0 in (381 mm)
Angle of departure	15.3°	19.0°
<b>Front wheel tread:</b>		
11.0 L x 16.0	67.5 in (1.72 m)	67.5 in (1.72 m)
12.0 L x 16.5	67.7 in (1.72 m)	67.7 in (1.72 m)
12.5/80 x 18.0	70.3 in (1.79 m)	70.3 in (1.79 m)
19.5 L x 24.0	61.2 in (1.55 m)	61.2 in (1.55 m)
17.5 L x 24.0	63.1 in (1.60 m)	63.1 in (1.60 m)
<b>Width over tires:</b>		
11.0 L x 16.0	79.3 in (2.02 m)	79.3 in (2.02 m)
12.0 L x 16.5	81.1 in (2.06 m)	81.1 in (2.06 m)
12.5/80 x 18.0	82.9 in (2.10 m)	82.9 in (2.10 m)
19.5 L x 24.0	81.4 in (2.07 m)	81.4 in (2.07 m)
17.5 L x 24.0	81.7 in (2.07 m)	81.7 in (2.07 m)
<b>O. Wheelbase:</b>		
19.5 L x 24.0	84.0 in (2.13 m)	84.5 in (2.15 m)
17.5 L x 24.0	84.0 in (2.13 m)	84.5 in (2.15 m)

## CYLINDERS

	Bore Diameter	Rod Diameter	Stroke	Closed Length
<b>Loader:</b>				
Lift – 2	3.25 in (82.6 mm)	1.75 in (44.5 mm)	28.86 in (733.0 mm)	42.95 in (1 062.0 mm)
Dump – 2	3.00 in (76.2 mm)	1.50 in (38.1 mm)	20.33 in (516.5 mm)	29.90 in (759.5 mm)
4 IN 1 <sup>®</sup> clam – 2	3.00 in (76.2 mm)	1.75 in (44.5 mm)	9.08 in (230.6 mm)	19.62 in (498.3 mm)
<b>Backhoe:</b>				
Boom	5.00 in (127.0 mm)	2.50 in (63.5 mm)	38.25 in (971.6 mm)	52.82 in (1 341.6 mm)
Dipperstick	4.75 in (120.7 mm)	2.50 in (63.5 mm)	25.14 in (628.5 mm)	39.65 in (1 007.0 mm)
Bucket	3.50 in (88.9 mm)	2.50 in (63.5 mm)	35.35 in (897.9 mm)	48.17 in (1 223.6 mm)
Extendahoe <sup>®</sup>	3.00 in (76.2 mm)	1.75 in (44.5 mm)	42.05 in (1 068.0 mm)	56.22 in (1 428.0 mm)
Swing – 2	4.00 in (101.6 mm)	2.00 in (50.8 mm)	11.50 in (292.0 mm)	24.44 in (620.8 mm)
Stabilizer – 2	4.50 in (114.3 mm)	2.25 in (57.2 mm)	21.37 in (542.9 mm)	33.87 in (860.2 mm)

## AXLE RATINGS

	Front – 2WD	Rear	Front – 4WD
Maximum static	70,821 lb (32 124 kg)	90,145 lb (40 889 kg)	64,613 lb (29 308 kg)
Dynamic operating	44,261 lb (20 076 kg)	56,200 lb (25 492 kg)	39,328 lb (17 839 kg)
Static operating	17,704 lb (8 030 kg)	22,480 lb (10 197 kg)	15,732 lb (7 136 kg)
Oscillation – front axle	22° total – 11° side to side	–	22° total – 11° side to side

**BACKHOE LIFT CAPACITIES**

Boom Lift	Standard Backhoe		Extendahoe®			
	Standard Lift Capacity lb (kg)	Power Lift Lift Capacity lb (kg)	Retracted		Extended	
			Standard Lift Capacity lb (kg)	Power Lift Lift Capacity lb (kg)	Standard Lift Capacity lb (kg)	Power Lift Lift Capacity lb (kg)
+16 ft (4.87 m)	—	—	—	—	2,115 (959)	2,298 (1 043)
+14 ft (4.27 m)	3,039 (1 378)	3,285 (1 490)	2,837 (1 287)	3,083 (1 398)	2,395 (1 086)	2,603 (1 181)
+12 ft (3.66 m)	3,413 (1 548)	3,691 (1 674)	3,201 (1 452)	3,479 (1 578)	2,536 (1 151)	2,757 (1 250)
+10 ft (3.05 m)	3,499 (1 587)	3,784 (1 716)	3,281 (1 488)	3,566 (1 618)	2,593 (1 176)	2,818 (1 278)
+8 ft (2.44 m)	3,485 (1 581)	3,768 (1 709)	3,263 (1 480)	3,546 (1 608)	2,564 (1 163)	2,786 (1 264)
+6 ft (1.83 m)	3,438 (1 559)	3,717 (1 686)	3,213 (1 457)	3,492 (1 584)	2,549 (1 156)	2,770 (1 257)
+4 ft (1.22 m)	3,374 (1 530)	3,648 (1 655)	3,146 (1 427)	3,420 (1 551)	2,521 (1 144)	2,741 (1 243)
+2 ft (0.61 m)	3,307 (1 500)	3,575 (1 622)	3,077 (1 396)	3,345 (1 517)	2,489 (1 129)	2,706 (1 227)
<b>Ground Level</b>	<b>3,251 (1 475)</b>	<b>3,513 (1 594)</b>	<b>3,018 (1 369)</b>	<b>3,280 (1 488)</b>	<b>2,489 (1 129)</b>	<b>2,706 (1 227)</b>
-2 ft (0.61 m)	3,201 (1 452)	3,459 (1 569)	2,965 (1 345)	3,223 (1 462)	2,466 (1 118)	2,680 (1 215)
-4 ft (1.22 m)	3,175 (1 440)	3,430 (1 556)	2,935 (1 331)	3,190 (1 447)	2,446 (1 109)	2,659 (1 206)
-6 ft (1.83 m)	3,182 (1 443)	3,437 (1 559)	2,938 (1 333)	3,193 (1 448)	2,443 (1 108)	2,656 (1 205)
-8 ft (2.44 m)	3,258 (1 478)	3,520 (1 597)	3,007 (1 364)	3,269 (1 483)	2,465 (1 118)	2,679 (1 215)
-10 ft (3.05 m)	3,441 (1 561)	3,717 (1 686)	3,175 (1 440)	3,451 (1 565)	2,530 (1 148)	2,750 (1 248)
-12 ft (3.66 m)	—	—	—	—	2,707 (1 228)	2,943 (1 335)
-14 ft (4.27 m)	—	—	—	—	3,239 (1 469)	3,521 (1 597)
<b>Dipper Lift</b>						
+14 ft (4.27 m)	—	—	—	—	4,281 (1 942)	4,281 (1 942)
+12 ft (3.66 m)	5,822 (2 641)	5,822 (2 641)	5,618 (2 548)	5,618 (2 548)	4,046 (1 835)	4,046 (1 835)
+10 ft (3.05 m)	5,600 (2 540)	5,600 (2 540)	5,399 (2 449)	5,399 (2 449)	3,984 (1 807)	3,984 (1 807)
+8 ft (2.44 m)	5,562 (2 523)	5,562 (2 523)	5,360 (2 431)	5,360 (2 431)	3,913 (1 775)	3,913 (1 775)
+6 ft (1.83 m)	6,236 (2 829)	6,236 (2 829)	6,030 (2 735)	6,030 (2 735)	4,166 (1 889)	4,166 (1 889)
+4 ft (1.22 m)	7,424 (3 368)	7,424 (3 368)	7,203 (3 267)	7,203 (3 267)	4,102 (1 861)	4,102 (1 861)
+2 ft (0.61 m)	—	—	—	—	4,850 (2 200)	4,850 (2 200)

NOTE: Boom and Dipper Lift Capacities are rated per SAE J31 and are 87% of the maximum hydraulic lift force available with the specified options.

**BACKHOE OPERATIONAL DATA**

	Standard Backhoe	Extendahoe®	
		Retracted	Extended
Digging depth:			
Maximum	14 ft 6 in (4.41 m)	14 ft 6 in (4.41 m)	17 ft 11 in (5.47 m)
Maximum with hi-capacity bucket	15 ft 0 in (4.51 m)	15 ft 0 in (4.51 m)	18 ft 6 in (5.63 m)
2 ft (610 mm) flat bottom	14 ft 4 in (4.37 m)	14 ft 4 in (4.37 m)	17 ft 10 in (5.43 m)
8 ft (2.44 m) flat bottom	13 ft 4 in (4.06 m)	13 ft 4 in (4.06 m)	17 ft 1 in (5.19 m)
Overall reach from:			
Rear axle centerline	21 ft 10 in (6.66 m)	21 ft 10 in (6.66 m)	25 ft 3 in (7.69 m)
Swing pivot	18 ft 2 in (5.55 m)	18 ft 2 in (5.55 m)	21 ft 7 in (6.58 m)
Loading height	12 ft 1 in (3.67 m)	12 ft 1 in (3.67 m)	14 ft 5 in (4.38 m)
Loading reach	4 ft 7 in (1.41 m)	4 ft 7 in (1.41 m)	7 ft 3 in (2.20 m)
Swing arc	180°	180°	180°
Bucket rotation:			
Straight links	175.6°	175.6°	175.6°
Mechanical coupler	198.0°	198.0°	198.0°
Hydraulic coupler – Extendahoe® dipper	194.8°	194.8°	194.8°
Hydraulic coupler – standard dipper	198.0°	198.0°	198.0°
Stabilizer spread – operating:			
Flip pad	9 ft 3 in (2.82 m)	9 ft 3 in (2.82 m)	9 ft 3 in (2.82 m)
Cast pad	9 ft 7 in (2.93 m)	9 ft 7 in (2.93 m)	9 ft 7 in (2.93 m)
Digging force:			
Bucket cylinder – SAE rated 3,460 psi	13,975 lb (61 363 N)	13,975 lb (61 363 N)	13,975 lb (61 363 N)
Bucket cylinder – Power Lift	14,452 lb (64 240 N)	14,452 lb (64 240 N)	14,452 lb (64 240 N)
Dipper cylinder – SAE rated 3,460 psi	8,657 lb (38 508 N)	8,657 lb (38 508 N)	6,305 lb (28 045 N)
Dipper cylinder – Power Lift	9,070 lb (40 345 N)	9,070 lb (40 345 N)	6,606 lb (29 382.7 N)
Leveling angle:			
Flip pad	11.8°	11.8°	11.8°
Cast pad	12.8°	12.8°	12.8°

NOTE: Lift capacities apply straight to the rear of prime mover. 4WD with 19.5 L x 24.0 tires equipped with 24 in (610 mm) heavy-duty bucket and Case coupler except as noted.

## STANDARD EQUIPMENT

### OPERATOR ENVIRONMENT

See page 1

### ENGINE

FPT F5BFL413B diesel  
Selective Catalytic Reduction – SCR  
Full flow engine oil filter  
Aspirated air cleaner – replaceable dual element dry type with radial seal  
Fuel filter with water trap  
Radiator with de-aeration bottle  
Antifreeze to -34° F (-37° C)  
Electronic throttles – foot and rotary hand  
Self-adjusting belt  
High Pressure Common Rail computer controlled injection with diagnostic features  
Engine ECO Mode – Detent on backhoe hand throttle, push button switch on dash  
Auto Engine Idle  
Auto Engine Shutdown  
Auto Protection Shutdown  
Electronic Fuel Priming  
Cold Weather Starting Aid:  
Dual 12 volt batteries, glow plugs, engine block heater and heated CCV hose

### DRIVETRAIN

Power Shuttle 4F-4R synchromesh transmission  
Front axle:  
2WD front axle with 11.0 L x 16.0 tires  
4WD mechanically driven front axle with 12.0 L x 16.5 tires and drive shaft guard  
Rear axle:  
2/4WD heavy-duty outboard planetary drive, with 19.5 L x 24.0 tires  
Torque converter – 11.8 in (300 mm)  
On-the-go electric 4WD control  
Electric F/R shuttle control  
Electric differential lock control, push-button  
Park brake, spring-applied, hydraulic release – SAHR  
Drive shaft guard – 4WD models

### HYDRAULICS

Ground level remote hydraulic test ports  
Pump:  
41 gpm @ 3,000 psi  
(156.2 L/min @ 207 bar)  
Heavy-duty hydraulic oil cooler  
7-micron, spin on oil filter

### LOADER

Bucket position indicator; Lifting lugs and tie downs on standard bucket; Single lever control with self-leveling and return-to-dig; Hand operated clutch disconnects on loader and shift levers, single lever  
4-function loader control: lift, dump, clutch cut-out, differential lock

### BACKHOE

Over center design, Fabricated “S” boom; Pro Control System; Dipperstick integrated serrated gripper teeth; Case mechanical coupler  
Cleated dirt stabilizer pads

### OTHER

Forward tilt engine hood  
Replaceable, molded front bumpers  
Front/Rear tie downs  
Reflective logos  
Signal Lights – cab and canopy:  
2 rear tail/stop  
2 front flashers/turn  
2 rear flashers/turn  
Working/Driving Lights – cab and canopy:  
Adjustable halogen work lights – 55 W:  
4 front  
2 side – one left, one right  
4 rear  
Master disconnect switch and remote jump-start terminals  
Hydrostatic steering  
Backup alarm  
Vertical spin-on engine oil, fuel and hydraulic filters  
Locking DEF/Fuel covers  
Tool box – bolt-on, step-mounted

### TELEMATICS

CASE SiteWatch™ Telematics – includes hardware and a 3-yr Advanced data subscription

### WARRANTY

1-Year/Unlimited-Hour Full-Coverage Base Limited Warranty  
2-Year/2,000-Hour Extended Engine Warranty



## OPTIONAL EQUIPMENT

### OPERATOR ENVIRONMENT

Speed selectable Auto Ride Control – 4WD models  
Comfort Steering with two speed steering pump and 3rd/4th gear cutout  
ROPS/FOPS certified protective cab available in LH Door or 2 door with heat, A/C, defroster, door activated dome light, 4 front, 4 rear and 2 adjustable side lights, floor mat, tinted glass, bluetooth radio, front and rear wiper and fender extensions  
Deluxe Cab package included on 2-door cabs includes: deluxe interior, viscous fan, pull-down sun visor and 72 dba sound level  
Premium multi-color, hand stitched cloth, heated air suspension seat – not for use with ROPS Canopy option

### ENGINE

Severe Cold Weather Starting Aid:  
Synthetic transmission, hydraulic and engine oil – order with cold weather starting aid

### DRIVETRAIN

PowerDrive H-Type transmission, 4F-4R, hydraulic clutch shifting, kick down, transmission disconnect and FNR switch in loader control lever, includes auto shift mode and direct drive  
4WD heavy-duty mechanically driven front axle with 12.5/80 x 18.0 tires

### LOADER

Auxiliary hydraulics for loader-mounted equipment with thumb-operated proportional control  
Hydraulic front quick coupler  
Tool portfolio of additional attachments  
Buckets – see page 2

### BACKHOE

1-way Auxiliary backhoe hydraulics for hammers, plate compactors or similar 1-way flow attachments  
1-way/2-way Auxiliary backhoe hydraulics for hammers, plate compactors or similar 1-way flow attachments or switch to 2-way flow for thumbs, augers or similar 2-way flow attachments  
Extendahoe®  
Power Lift  
Power Boost  
Bolt-on hardened gripper teeth  
Two-lever control – backhoe or Extendahoe®  
Pilot operated control system:  
Fingertip proportional Electro-Hydraulic stabilizer controls  
Thumb-operated proportional Electro-Hydraulic Extendahoe® control  
Thumb-operated horn button  
Thumb-operated auxiliary hydraulic control  
Infinitely adjustable towers  
In-cab switchable “excavator to backhoe” control pattern change  
Flip over stabilizer pads  
Hydraulic bucket quick coupler  
Universal coupler – CAT/Deere compatible  
Buckets – see page 2

Hydraulic thumb – Includes: 2 replaceable, high strength, bolt on tines with two positions for Universal or Hi-Cap buckets – meshes with Bucket teeth on 18 in & 24 in Buckets

### OTHER

Front tires:  
11.0 L x 16.0 or 12.0 L x 16.5  
12.5/80 x 18.0 10-ply includes heavy duty front axle  
Rear tires:  
500/70 R24 Michelin or 19.5 L x 24.0  
Special paint  
LED Working/Driving Light Package:  
4 front  
4 rear  
2 side  
Front Fenders  
Special Feature Request

CaseCE.com

©2020 CNH Industrial America LLC. All rights reserved. CASE is a trademark registered in the United States and many other countries, owned by or licensed to CNH Industrial N.V., its subsidiaries or affiliates. CNH Industrial Capital is a trademark in the United States and many other countries, owned by or licensed to CNH Industrial N.V., its subsidiaries or affiliates. Printed in U.S.A. Contains 10% post-consumer fiber.

IMPORTANT: CASE Construction Equipment Inc. reserves the right to change these specifications without notice and without incurring any obligation relating to such change. Availability of some models and equipment builds vary according to the country in which the equipment is used. The illustrations and text may include optional equipment and accessories and may not include all standard equipment. Your CASE dealer/distributor will be able to give you details of the products and their specifications available in your area.



CASE Construction Equipment is biodiesel-friendly. NOTE: All engines meet current EPA emissions regulations. All specifications are stated in accordance with SAE Standards or Recommended Practices, where applicable.



Always read the Operator's Manual before operating any equipment. Inspect equipment before using it, and be sure it is operating properly. Follow the product safety signs and use any safety features provided.

Form No. CCE202012580SN  
Replaces Form No. CCE201810580SN

580SN

7 of 7

## **Instructions**

**These forms are interactive. End user is responsible for the accuracy of the information. These Forms must be filled out completely and in detail, and maintained for a minimum of five years.**

Data is auto-populated onto other forms. You must start with the Facility Data tab, then OK300, then OK301's, then lastly the OK300A.

Maximum number of recordable incidents on these forms is limited to 20 entries.

If you have more than 20 entries, please save multiple copies of this file under different names. You will need to manually calculate the data going forward onto all other forms in this case.

##### ### #####  
#

**ERROR CHECKS are built into the program, please correct any errors before proceeding. Field colors in RED denote an error and must be corrected before proceeding.**

Facility Data Tab

#####

OK300 Tab

#####

Enter all information **LEFT TO RIGHT ON THE FORM.**

#####

For any Case involving the Death of an employee, ensure all days away or restricted is set to "0".

After you have entered the data for the individual record, click on the button "OK301" at the end of the line, it will take you to the correct OK301 form to enter additional information required for the case.

OK301 Tab

Enter the individual's injury or illness data on Form OK301. Ensure all highlighted fields are filled in completely and accurately as required.

#####