



THE G. W. VAN KEPPEL COMPANY

1801 North 9th Street, Kansas City, KS 66101 (913) 281-4800
P.O. Box 2923, Kansas City, KS 66110 Fax (913) 281-4815

12.16.2022

John Adams
Muskogee County District 3

The G.W. Van Keppel Company is pleased to present the following for your consideration:

Road Widener Skid Steer Offset Roller Attachment

- Safest roller on the market – one-of-a kind attachment
- Attaches to any machine via SAE quick connector coupling
- Requires only standard flow hydraulics
- Remote control puts functions in the hands of the operator
- Vibratory feature creates optimal compaction
- Can roll stone, asphalt, RAP, dirt
- Multiple roller widths 2', 3', and 4'
- Can roll outside slope of shoulder, not just horizontal edges (up to 30-degree drum pivot)
- Can be dropped down into trenches – drum goes to 30 inches below mounting point
- Sprayer mount provisions for hot asphalt users

2023 Pricing

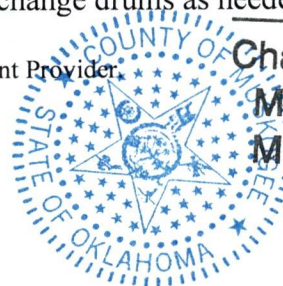
MSRP SALE PRICE \$62,753 (NOT INCLUDING TAXES) FOB Tulsa, OK
 SW195 DISCOUNT - \$3,137
 DISCOUNTED PRICE \$59,616

4' roller in stock now in OKC Location

Can add other widths for \$17,800 each and change drums as needed

Thank you for this Opportunity to be your Equipment Provider

Reagan Gray
 918-800-9423
 TERRITORY MANAGER
 The G.W. Van Keppel Company

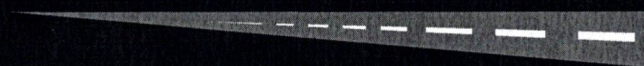


_____ day of _____ 20____
 Chairman *[Signature]*
 Member *[Signature]*
 Member *[Signature]*
 Attest *[Signature]*
 County Clerk

Customer Signature _____ Date _____ PO# _____

Drum Width _____

ROADWIDENER



Road Widener LLC

Dealer Inquiries: 888-871-3536

Sales: 844-4WIDENER (844-494-3363)

sales@roadwidenerllc.com

www.roadwidenerllc.com

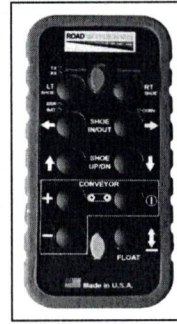
Made in the USA.

ROAD WIDENER SHOULDERING AND SIDE PAVER ATTACHMENT

Lays down any and all aggregates

Connects to any machine

*Ideal for Shouldering, Asphalt Patching, Trench
Backfilling, Road Widening, Curb Backfilling*



■ **FH-R MODEL**
SINGLE DISCHARGE
REMOTE

■ **FHD-R MODEL**
DUAL DISCHARGE
REMOTE



ROADWIDENER

1-844-494-3363 | Sales@RoadWidenerLLC.com

www.RoadWidenerLLC.com

FH-R Model - Single Discharge Unit

The FH-R model, with lay down widths of 1 to 4 feet, can be ordered as a right- or left-side discharge unit. The right-side unit will discharge to the operator's right and the left-side unit will discharge to the operator's left when moving forward.

The FH-R model is powered by standard flow hydraulics.

The remote control allows the skid steer operator or another worker to control the Road Widener functions from a distance safely away from the machine.

There are several optional attachments available; refer to page 7 for options.



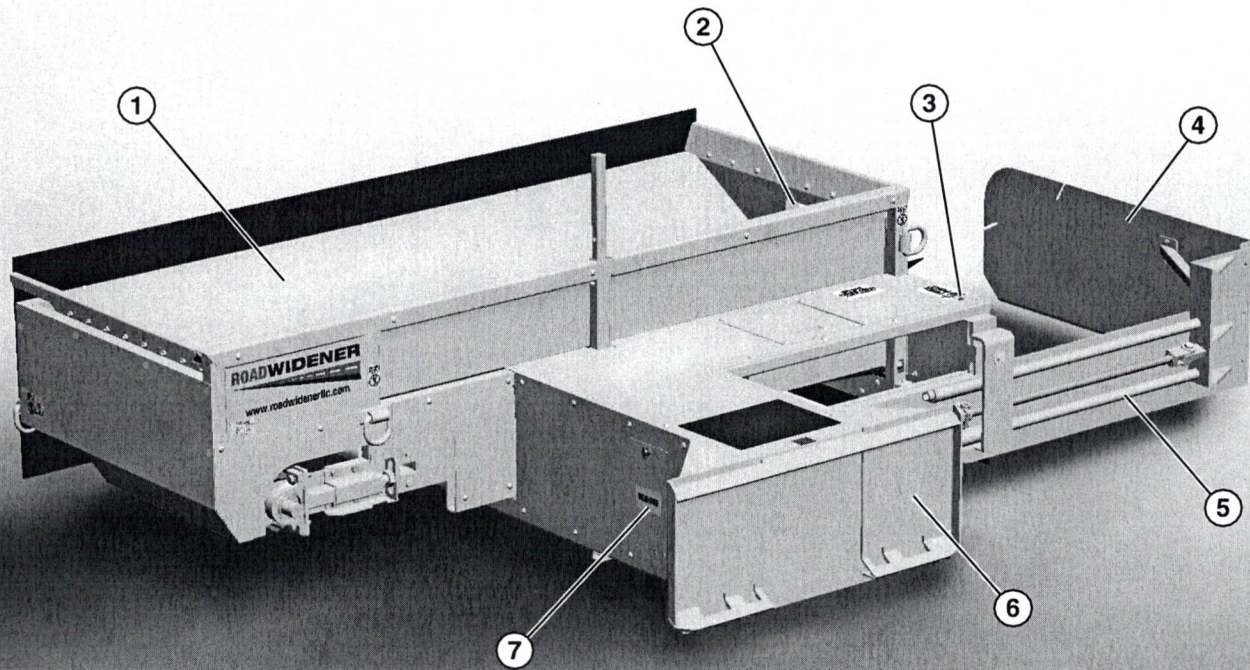
The Road Widener skid steer attachment is flexible and portable.

Specifications



Trenching using the Road Widener.

Lay Down Widths	1 ft. to 4 ft. (30 to 123 cm)
Hydraulic Requirements	Standard Flow 17.5 to 24.2 gpm (66.2 to 41.6 lpm)
Empty Weight	2,900 lb (1,315 kg)
Overall Width shoe extended	161 in. (409 cm)
Overall Width shoe retracted	125 in. (317 cm)
Overall Height	51 in. (130 cm)
Overall Length	124 in. (315 cm)
Height to Clear Push Roller	21 in. (53 cm)
Conveyor Belt Length	96 in. (244 cm)

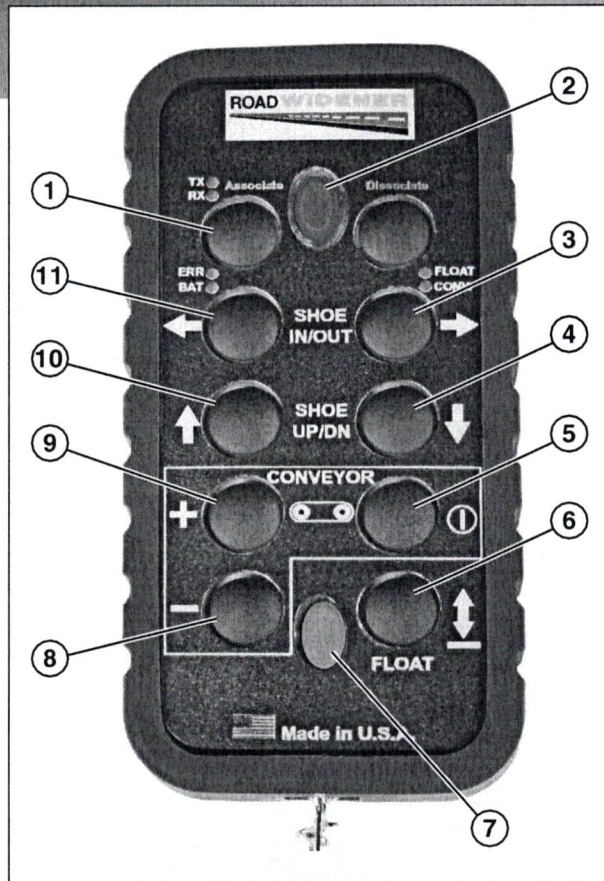


FH-R Model: Equipment

1. Hopper
2. Discharge Opening
3. LED Light
4. Shoe
5. Adjustable Slope Angle
6. Universal Mounting Pad
7. Remote Storage

Remote

1. Learn Button
2. Power On Button
3. Shoe Out Button
4. Shoe Down Button
5. Conveyor On Button
6. Shoe Float Btton
7. Power Off Button
8. Converyor Speed Decrease Button
9. Converyor Speed Increase Button
10. Shoe Up Button
11. Shoe In Button



FHD-R Model - Dual Discharge Unit

The FHD-R model can be used to discharge material to the right or the left side, at widths of 1 to 4 feet, as the operator is moving forward by changing the direction of the conveyor belt. A closure plate is used to block material from spilling out of the side you are not discharging from.

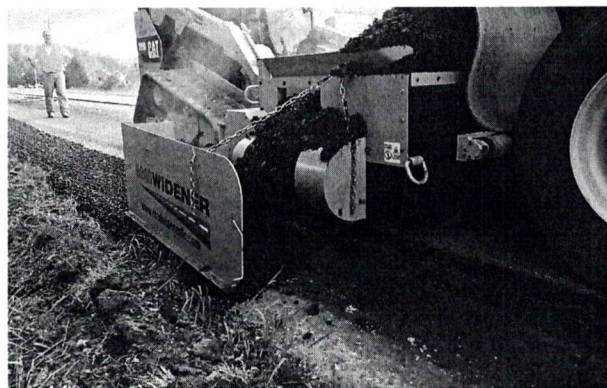
The FHD-R model is powered by standard flow hydraulics.

The remote control allows the skid steer operator or another worker to control the Road Widener functions from a distance safely away from the machine.

There are several optional attachments available; refer to page 7 for options.



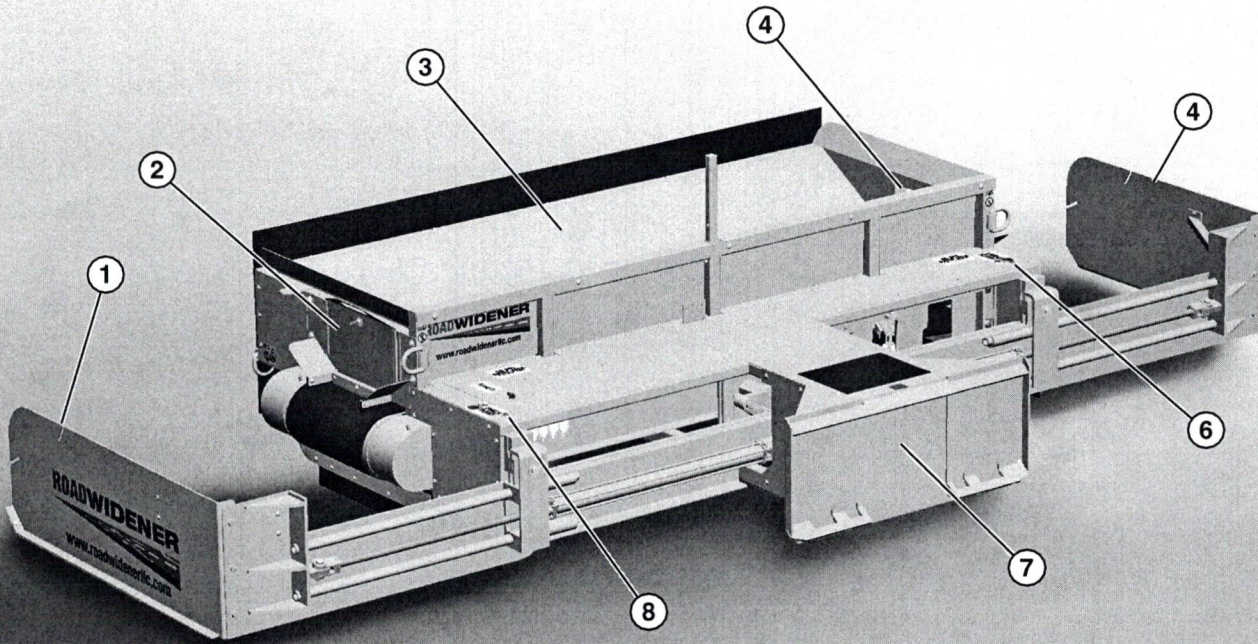
Dual discharge machine with curb backfilling option



Laying down asphalt using the Road Widener.

Specifications

Lay Down Widths	1 ft. to 4 ft. (30 to 123 cm)
Hydraulic Requirements	Standard Flow 17.5 to 24.2 gpm (66.2 to 41.6 lpm)
Empty Weight	3,400 lb (1,542 kg)
Overall Width shoes extended	210 in. (533 cm)
Overall Width shoes retracted	138 in. (350 cm)
Overall Height	49 in. (124 cm)
Overall Length	98 in. (249 cm)
Height to Clear Push Roller	21 in. (53 cm)
Conveyor Belt Length	96 in. (244 cm)

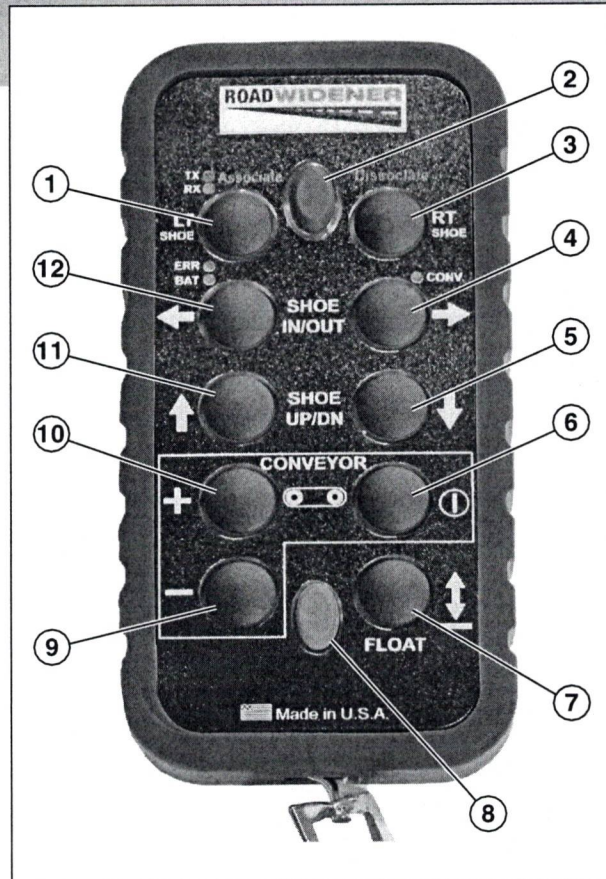


FHD-R Model: Equipment

1. Left Shoe
2. Left Side Discharge
3. Hopper
4. Right Side Discharge
5. Right Shoe
6. Right Side LED
7. Universal Mounting Pad
8. Left Side LED

Remote

1. Learn/Left Side Button
2. Power On Button
3. Right Side Button
4. Shoe Out Button
5. Shoe Down Button
6. Conveyor On Button
7. Shoe Float Btton
8. Power Off Button
9. Converyor Speed Decrease Button
10. Converyor Speed Increase Button
11. Shoe Up Button
12. Shoe In Button



Reduce Your Operating Costs

The flexible Road Widener skid steer attachment is essential for state and municipal highway departments, road contractors and landscapers seeking greater operating efficiency and productivity in road shouldering and other aggregate dispersal.

These new machines are the most flexible and portable road wideners on the market. They offer the best cost/ton ratio for dispersing aggregate, when compared to traditional, large road wideners. The Road Widener skid steer attachment reduces your operating costs for road work, other shouldering, trench work and landscaping.

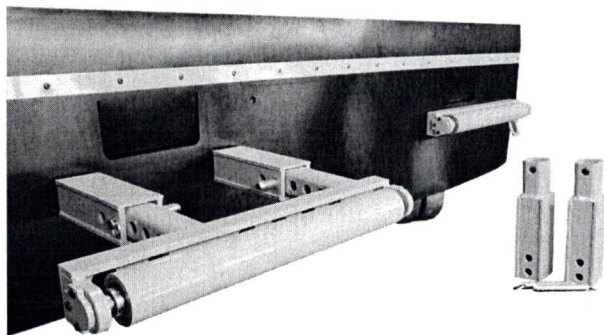
Benefits and Features

While the Road Widener skid steer attachment is smaller than traditional road wideners, it is big on benefits, efficiency and features.

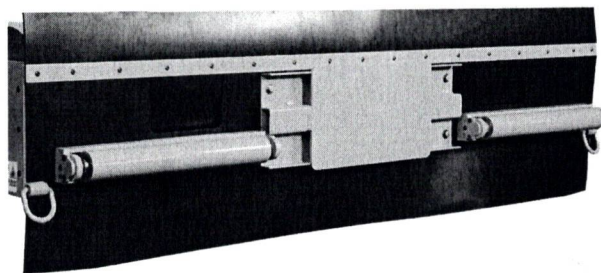
- All functions are controlled by remote control
- Easily maneuvered around guardrails, sign posts, mailbox posts and other obstructions
- Transported on common-width trailers pulled by a pick-up truck
- Precise operator control over flow and placement of material
- Disperses a 20-ton load of aggregate in minutes
- Left- or right-hand material dispersal
- Works with any make of skid steer or compact track loader with an attachment plate
- Wheel-turning extensions available to fit all types of dump trucks
- Low operating cost
- 360-degree steerable front end
- Ability to easily disperse gravel, asphalt (includes asphalt-ready heat-treated belt) and topsoil
- Can be used for trench repairs
- Durable and reliable to give you years of service
- Made in America

Dealer Information

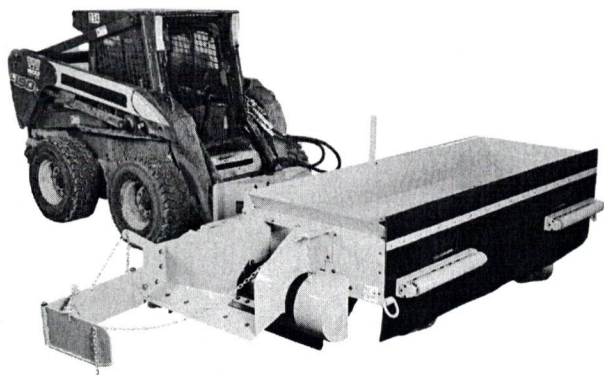
Road Widener LLC products are available through our extensive dealer network. We continue to expand our dealer network both domestically and internationally. Please contact us to learn more about dealers in your area or about becoming a dealer.



Additional roller extensions



Pintle hitch push plate



Curbing attachment